



PARTS CATALOG

Published

2011/7 (Jul.)

0CR10-G55100

はじめに

1. 本パーツカタログは、L70AE-DYC, L70AE-DEYC, L70AE-DEGYC, L70AE-DGYC, L70AE-DVYC, L70AE-SYC, L70AE-SEYC形を掲載した新作版です。

	パーツカタログNo.	発行年月	備考
初版	000Y00R5510	2002年10月	

2. 本パーツカタログは、整備要領などを示した技術資料ではありません。
3. 本パーツカタログのイラストは、一部簡略化したものを使用しています。
4. 本パーツカタログの記載内容は、予告なく変更することがありますのでご了承ください。
5. ヤンマー製品の整備には、必ず『ヤンマー純正部品』をご使用ください。
市販の類似品を使用して修理されますと、早期破損などの原因となりますのでご注意ください。

Introduction

1. This parts catalog is a first edition for the L70AE-DYC, L70AE-DEYC, L70AE-DEGYC, L70AE-DGYC, L70AE-DVYC, L70AE-SYC, L70AE-SEYC Diesel engine.

	Parts catalog No.	Date of issue	Remarks
First edition	000Y00R5510	Oct., 2002	

2. This parts catalog does not contain the technical data needed for maintenance service.
3. The illustrations used in this parts catalog have been simplified for clarity.
4. The contents of this parts catalog are subject to change without notice.
5. Be sure to use only Yanmar genuine part for repairs. If imitation parts are used, it may cause engine defects.

Directions for the Parts Catalog.

1. The parts stipulated in this Parts Catalog are not necessarily standard equipped parts.
2. Parts may change without prior notice.
3. The following is an example of the Parts Catalog format.

REF.	LEV.	PARTS NO.	DESCRIPTION	Q'TY						I	R
				(A)	(B)	(C)	(D)	(E)	(F)		
1	1	729595-51390	FUEL INJECTION PUMP	1	1	1	1	1			1
1-1	1	729595-51391	FUEL INJECTION PUMP	1	1	1	1	1		N	1
		(A=E00185) (B=E00200)									
3	2	26022-060162	SCREW M 6X 16	9	9	9	9	9			
3-1	2	26022-060162	SCREW M 6X 16	4	4	4	4	4		K	
		(A=E00156) (B=E00156) (C=E00156) (D=E00156) (E=E00156)									
4	2	129470-51040	CAMSHAFT	1	1	1	1	1			
5	2	122710-51050	BEARING, ROLLER	2	2	2	2	2			
6	2	129470-51060	RETAINER	1	1	1	1	1			

Remarks
(1) BOOST COMPEMSATOR TYPE. OPTIONAL PART, TO E00155,(4JH-DT, 4JH-DTZ

① Ref. No.

The Ref. No. listed may not be in accordance with the illustration Ref. No.

(Ex.) Illustration No.

List Ref No.

1

1

(Before change)

1-1

(After change)

For interchangeable symbols N, R and K, illustrations for new parts may be abbreviated.

② Lev. (Level)

Level indication

The numbers below indicate the level of relativity towards the main part.

1 ----- Main parts (Assembly parts)

2 ----- Sub component included in " 1 ".

3 ----- Sub component included in " 2 ".

Note) Parts that are not for sale are partially illustrated but not listed.

③ Interchangeability Mark

When a part change takes place, one of the following interchangeability symbols is indicated beside the part.

Symbol	Interchangeability	Contents note
N	Old $\begin{matrix} \leftarrow \text{Yes} \\ \text{No} \rightarrow \end{matrix}$ New	New Part is interchangeable for Old Part but Old Part is not interchangeable for New Part.
Q	Old $\begin{matrix} \leftarrow \text{No} \\ \text{Yes} \rightarrow \end{matrix}$ New	New Part is not interchangeable for Old Part but Old Part is interchangeable for New Part.
R	Old $\begin{matrix} \leftarrow \text{Yes} \\ \text{Yes} \rightarrow \end{matrix}$ New	New/ Old Parts are both interchangeable.
S	Old $\begin{matrix} \leftarrow \text{No} \\ \text{No} \rightarrow \end{matrix}$ New	New/ Old Parts are both not interchangeable.
W		Part newly added.
Z		Part discontinued.
F		Not interchangeable by a single part but interchangeable together with related parts.
K		Changes only for used parts quantities.

④ Effective Machine No.

When a part changes, the effective Machine No. will be indicated in the (A)-(F) column.

Product Symbol	Product No.	Product Symbol	Product No.
C	Clutch No. Compressor No.	F	Machine No. (Agricultural Equip.)
D	Drive No.	M	Machine No.
E	Engine No.		

Note 1) A date may follow the symbol. (Ex.) 1996.01

Note 2) "XXXXX" and "ZZZZZ" are for parts that could not be predicted or for engine models that could not be identified.

Note 3) (A=E00185) is the E (Engine Serial Number) for the column (A) model (in this case 4JH-DT) after the parts design change.

⑤ Remarks Mark

Figures or alphabets (symbols) are entered in the remarks column.

The comments (remarks) on parts that are indicated at the bottom of the illustration are the same symbols as those stated above.

CONTENTS

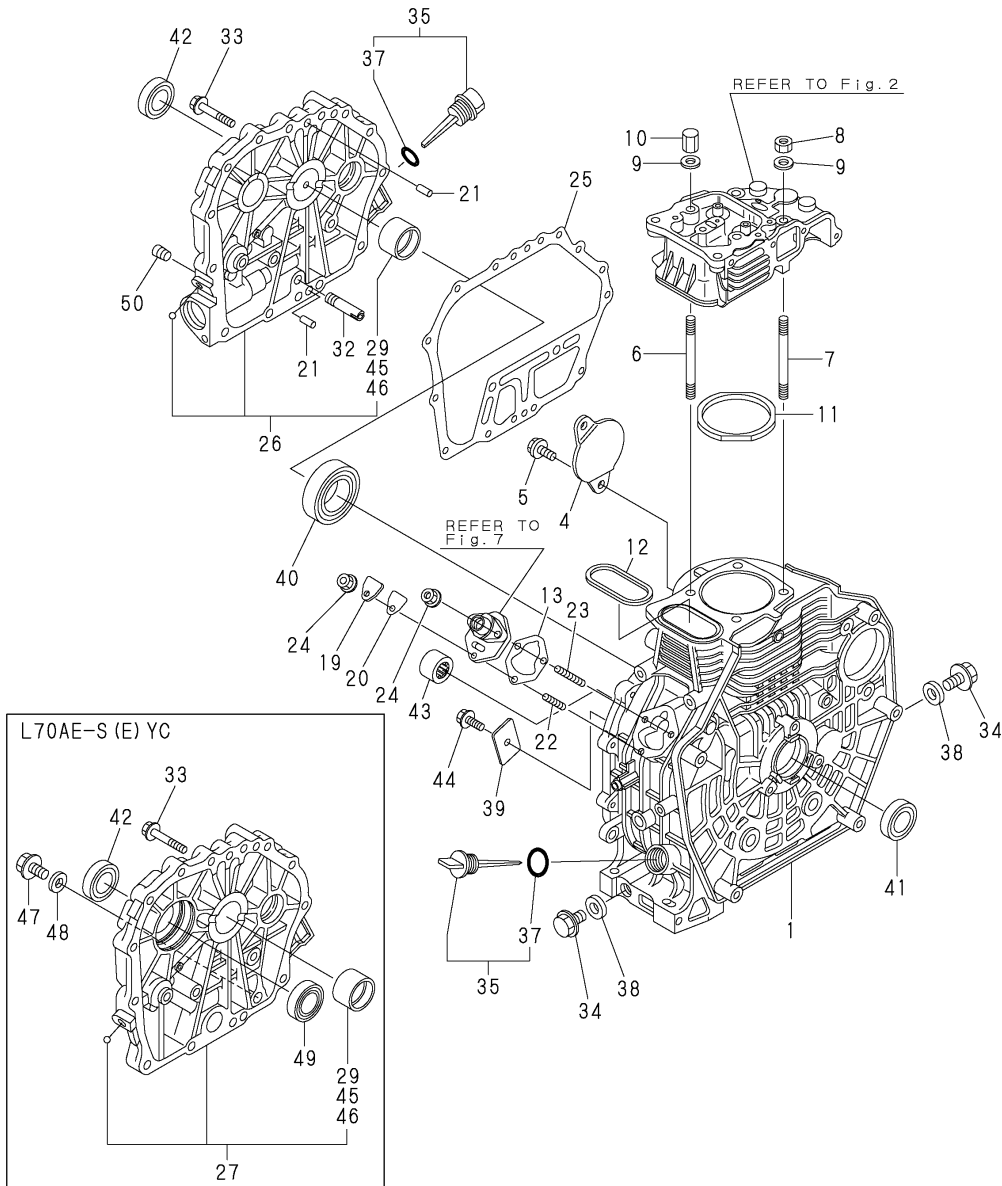
MODEL : L70AE -
PC NO : 0CR10-G55100

Fig.No. GROUP NAME
L70AE SERIES

Fig.No. GROUP NAME

1. CYLINDER BLOCK
2. CYLINDER HEAD & BONNET
3. AIR CLEANER & MUFFLER
4. CRANKSHAFT,PISTON & CAMSHAFT
5. LUB.OIL PUMP & GOVERNOR
6. COOLING & STARTING DEVICE
7. FUEL INJECTION PUMP & FUEL INJECTION VALVE
8. FUEL TANK & FUEL PIPE
9. STARTING MOTOR
10. TOOL,LABEL & GASKET SET

Fig.1. CYLINDER BLOCK



OCR10-G55100 1. CYLINDER BLOCK

(A)=L70AE-DYC
(B)=L70AE-DEYC
(C)=L70AE-DEGYC

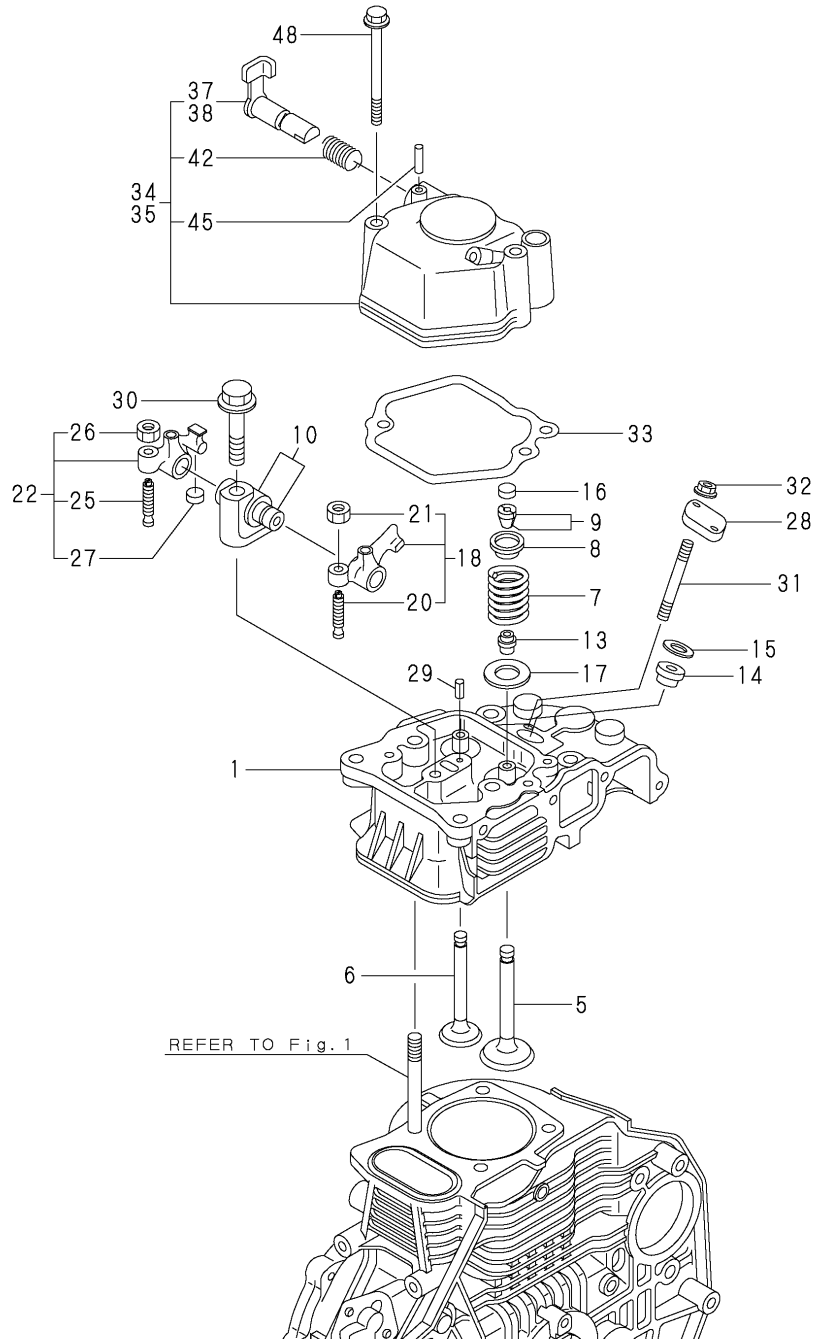
(D)=L70AE-DGYC
(E)=L70AE-DVYC
(F)=L70AE-S(E)YC

REF.	LEV.	PARTS NO.	DESCRIPTION	QTY						I	R
				(A)	(B)	(C)	(D)	(E)	(F)		
1	1	114399-01050	BLOCK ASSY, CYLINDER	1	1	1	1	1	1		
4	1	114399-01700	COVER, STARTER	1			1	1	1		4
5	1	26106-100122	BOLT M10X 12 PLATED	2			2	2	2		4
6	1	114399-01200	STUD, CYL. HEAD	2	2	2	2	2	2		
7	1	114399-01210	STUD, CYL. HEAD	2	2	2	2	2	2		
8	1	114399-01220	NUT, CYLINDER HEAD A	2	2	2	2	2	2		
9	1	114399-01250	WASHER	4	4	4	4	4	4		
10	1	114399-01230	HEAD NUT(B)	2	2	2	2	2	2		
11	1	114399-01330	GASKET, CYL. HEAD	1	1	1	1	1	1		
12	1	114399-01380	O-RING	1	1	1	1	1	1		
13	1	114299-01800	SHIM SET	1	1	1	1	1	1		
19	1	114299-01830	COVER,(FO PUMP)	1	1	1	1	1	1		
20	1	114299-01840	GASKET	1	1	1	1	1	1		
21	1	114270-01600	PARALLEL PIN 8X12	2	2	2	2	2	2		
22	1	26226-060182	STUD M 6X 18 PLATED	1	1	1	1	1	1		
23	1	26226-060222	STUD M 6X 22 PLATED	2	2	2	2	2	2		
24	1	26366-060002	NUT M 6	3	3	3	3	3	3		
25	1	114399-01410	GASKET, CRANK CASE	1	1	1	1	1	1		
26	1	114399-01461	COVER,CRANK CASE E-D	1	1	1	1	1	1		
27	1	114350-01452	COVER (S),CRANK CASE								1
29	2	114350-02100	BEARING, MAIN	1	1	1	1	1	1		1
32	1	114299-35150	PIPE, L.O. INLET	1	1	1	1	1	1		
33	1	26106-080352	BOLT M 8X 35 PLATED	15	15	15	15	15	15		15
34	1	105425-01690	PLUG M16	2	2	2	2	2	2		
35	1	114699-01760	CAP, W/LUB.OIL GAUGE	2	2	2	2	2	2		
37	2	114299-01950	O-RING	2	2	2	2	2	2		
38	1	22190-160002	SEAL WASHER 16S	2	2	2	2	2	2		
39	1	114299-02030	RETAINER	1	1	1	1	1	1		
40	1	114350-02113	BALL BEARING	1	1	1	1	1	1		
41	1	114299-02220	SEAL, OIL	1	1	1	1	1	1		
42	1	114299-02220	SEAL, OIL	1	1	1	1	1	1		
43	1	24162-152112	NEEDLE BEARING	1	1	1	1	1	1		
44	1	26106-080122	BOLT M 8X 12 PLATED	1	1	1	1	1	1		
45	1	114350-02200	MAIN BEARING US=0.25	1	1	1	1	1	1		2
46	1	114350-02210	MAIN BEARING US=0.50	1	1	1	1	1	1		3
47	1	105425-01690	PLUG M16								1
48	1	22190-160002	SEAL WASHER 16S								1
49	1	24101-062060	BALL BEARING								1
50	1	23876-010000	PLUG PT1/8,SCREW	1	1	1	1	1	1		

Remarks

- (1)REPAIR PART.
- (2)UNDER SIZED(U.S.=0.25)PART.
- (3)UNDER SIZED(U.S.=0.50)PART.
- (4)IT IS NOT USED FOR L70AE-SEYC.

Fig.2. CYLINDER HEAD & BONNET



OCR10-G55100 2. CYLINDER HEAD & BONNET

(A)=L70AE-DYC
(B)=L70AE-DEYC
(C)=L70AE-DEGYC

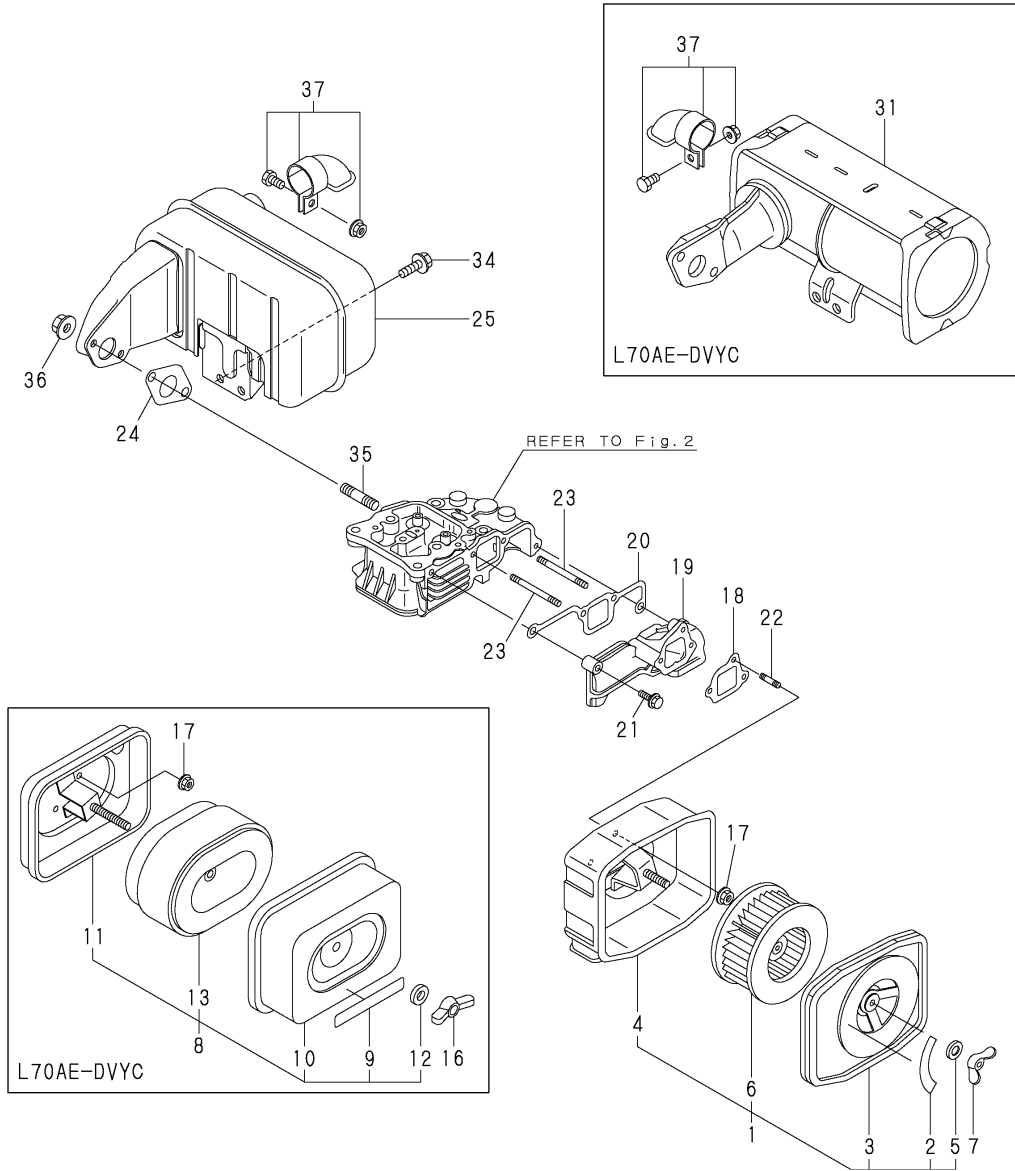
(D)=L70AE-DGYC
(E)=L70AE-DVYC
(F)=L70AE-S(E)YC

REF.	LEV.	PARTS NO.	DESCRIPTION	QTY						I	R
				(A)	(B)	(C)	(D)	(E)	(F)		
1	1	114870-11021	HEAD ASSY, CYLINDER	1	1	1	1	1	1		
5	1	114350-11101	VALVE, SUCTION	1	1	1	1	1	1		
6	1	114350-11113	VALVE, EXHAUST	1	1	1	1	1	1		
7	1	114399-11120	SPRING, VALVE	2	2	2	2	2	2		
8	1	101158-11180	RETAINER, SPRING	2	2	2	2	2	2		
9	1	27310-060001	COTTER ASSY	2	2	2	2	2	2		
10	1	114250-11290	SUPPORT, ROCKER ARM	1	1	1	1	1	1		
13	1	114350-11340	SEAL, VALVE STEM	2	2	2	2	2	2		
14	1	114250-11460	GASKET, NOZZLE	1	1	1	1	1	1		
15	1	114350-11470	SPACER, NOZZLE	1	1	1	1	1	1		
16	1	105010-11490	CAP, VALVE	1	1	1	1	1	1		
17	1	114250-11600	WASHER	2	2	2	2	2	2		
18	1	114250-11651	ARM ASSY, INTAKE	1	1	1	1	1	1		
20	2	114250-11240	SCREW, VALVE ADJUST.	1	1	1	1	1	1		
21	2	26856-060002	LOCK NUT 6	1	1	1	1	1	1		
22	1	714370-11660	ARM ASSY, EXHAUST	1	1	1	1	1	1		
25	3	114250-11240	SCREW, VALVE ADJUST.	1	1	1	1	1	1		
26	3	26856-060002	LOCK NUT 6	1	1	1	1	1	1		
27	2	105010-11490	CAP, VALVE	1	1	1	1	1	1		
28	1	114299-11901	RETAINER, NOZZLE	1	1	1	1	1	1		
29	1	22351-040008	SPRING PIN 4X 8	1	1	1	1	1	1		
30	1	26106-080452	BOLT M 8X 45 PLATED	1	1	1	1	1	1		
31	1	26226-060502	STUD M 6X 50	2	2	2	2	2	2		
32	1	26366-060002	NUT M 6	2	2	2	2	2	2		
33	1	114250-11311	GASKET, BONNET	1	1	1	1	1	1		
34	1	114299-11950	BONNET ASSY, HEAD	1	1	1	1				
35	1	114288-11950	BONNET ASSY, HEAD						1		
37	2	114250-03591	SHAFT ASSY, DECOMP.	1	1	1	1			1	
38	2	114288-03590	DECOMPRESSION ASSY							1	
42	2	114250-03640	SPRING	1	1	1	1	1	1		
45	2	22312-030160	PARALLEL PIN 3X16	1	1	1	1	1	1		
48	1	26106-060552	BOLT M 6X 55 PLATED	2	2	2	2	2	2		

Fig.3. AIR CLEANER & MUFFLER

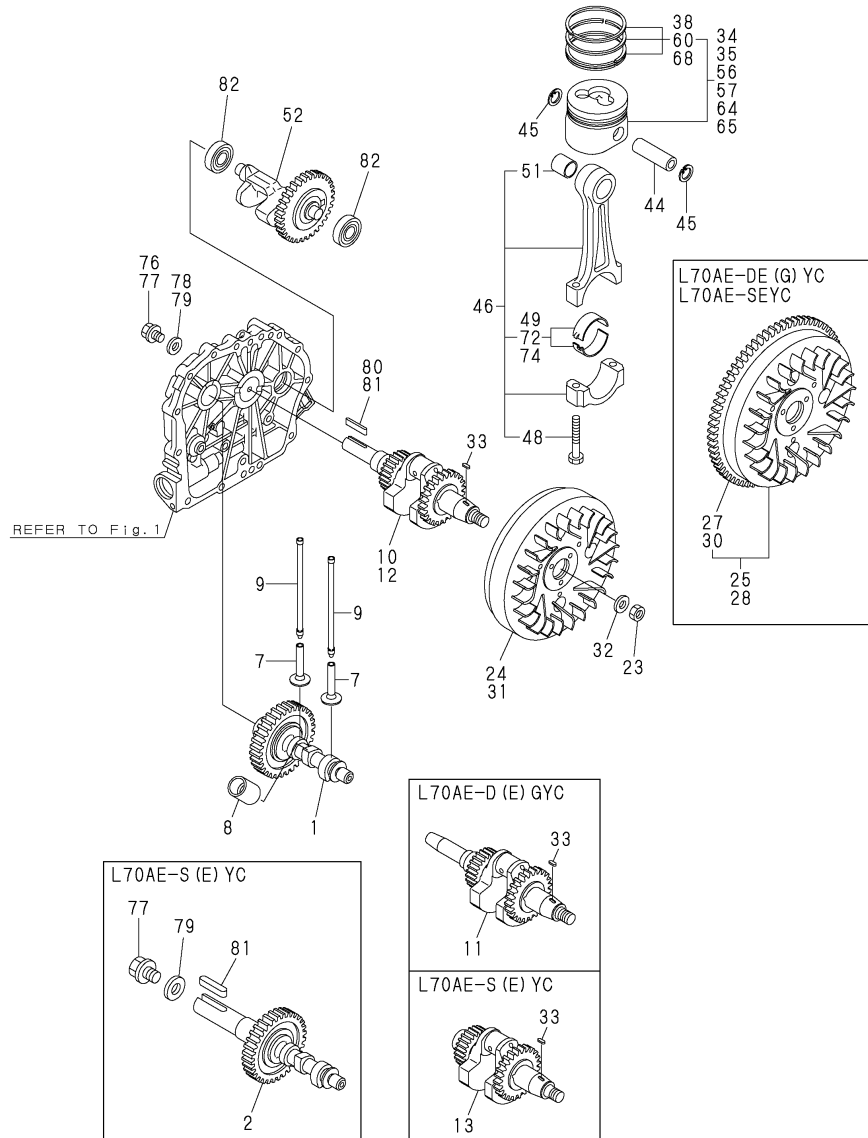
(A)=L70AE-DYC
(B)=L70AE-DEYC
(C)=L70AE-DEGYC

(D)=L70AE-DGYC
(E)=L70AE-DVYC
(F)=L70AE-S(E)YIC



REF.	LEV.	PARTS NO.	DESCRIPTION	QTY						I	R
				(A)	(B)	(C)	(D)	(E)	(F)		
1	1	114250-12570	CLEANER, AIR	1	1	1	1			1	
2	2	114770-07450	LABEL, AIR CLEANER	1	1	1	1			1	
3	2	114250-12520	COVER, AIR CLEANER	1	1	1	1			1	
4	2	114250-12530	CASE, AIR CLEANER	1	1	1	1			1	
5	2	114250-12560	WASHER M 6, SEAL	1	1	1	1			1	
6	2	114250-12581	ELEMENT, WET AIR	1	1	1	1			1	
7	1	114250-12550	WING-NUT, M 6	1	1	1	1			1	
8	1	114288-12511	CLEANER, AIR							1	
9	2	114650-07450	LABEL, AIR CLEANER							1	
10	2	114288-12520	COVER COMPL.							1	
11	2	114288-12531	CASE, AIR CLEANER							1	
12	2	114252-12560	WASHER M 8, SEAL							1	
13	2	114650-12591	ELEMENT ASSY							1	
16	1	114252-12550	WING-NUT, M 8							1	
17	1	114250-12300	U-NUT	3	3	3	3	3	3		
18	1	114299-12210	GASKET, AIR CLEANER	1	1	1	1	1	1		
19	1	114399-12010	PIPE, AIR INTAKE	1	1	1	1	1	1		
20	1	114399-12200	GASKET, INTAKE	1	1	1	1	1	1		
21	1	26106-060252	BOLT M 6X 25 PLATED	2	2	2	2	2	2		
22	1	26226-060142	STUD M 6X 14 PLATED	1	1	1	1	1	1		
23	1	26226-060552	STUD M6X 55 PLATED	2	2	2	2	2	2		
24	1	114299-13200	GASKET, MUFFLER	1	1	1	1	1	1		
25	1	114870-13551	MUFFLER ASSY	1	1	1	1	1	1		
31	1	114388-13600	EXHAUST, MUFFLER							1	
34	1	26106-060122	BOLT M 6X 12 PLATED	2	2	2	2	2	2		
35	1	26216-080182	STUD M 8X 18 PLATED	2	2	2	2	2	2		
36	1	26306-080002	NUT	2	2	2	2	2	2		
37	1	114299-13800	DEFLECTOR, (EXH)	1	1	1	1	1	1		

Fig.4. CRANKSHAFT,PISTON & CAMSHAFT



OCR10-G55100 4. CRANKSHAFT,PISTON & CAMSHAFT

(A)=L70AE-DYC
(B)=L70AE-DEYC
(C)=L70AE-DEGYC

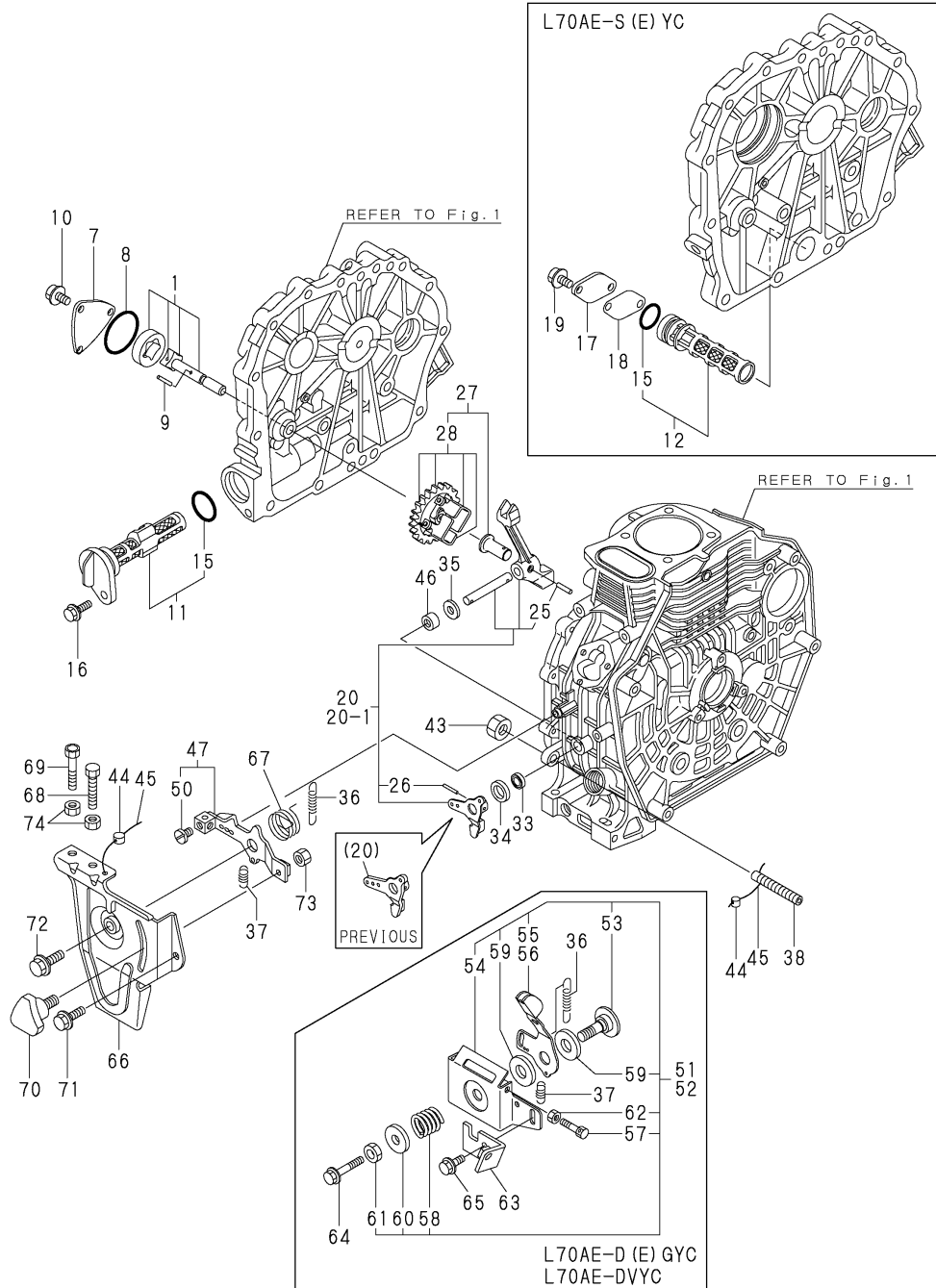
(D)=L70AE-DGYC
(E)=L70AE-DVYC
(F)=L70AE-S(E)YC

REF.	LEV.	PARTS NO.	DESCRIPTION	QTY						I	R
				(A)	(B)	(C)	(D)	(E)	(F)		
1	1	714399-14580	CAMSHAFT (D) ASSY	1	1	1	1	1			
2	1	714870-14670	CAMSHAFT (S) ASSY								1
7	1	114250-14200	TAPPET	2	2	2	2	2	2		
8	1	114771-14260	TAPPET,F.O.	1	1	1	1	1	1		
9	1	114350-14451	ROD, PUSH	2	2	2	2	2	2		
10	1	714368-21701	CRANKSHAFT ASSY	1	1						
11	1	714368-21741	CRANKSHAFT ASSY (DG			1	1				
12	1	714360-21740	CRANKSHAFT ASSY, D						1		
13	1	714350-21730	CRANKSHAFT ASSY, S								1
23	1	114299-21220	NUT	1	1	1	1	1	1		
24	1	114399-21400	FLYWHEEL, (D	1			1	1			
25	1	114399-21590	FLYWHEEL ASSY, DE		1	1					
27	2	114362-21600	GEAR, RING		1	1					
28	1	114399-21570	FLYWHEEL ASSY, SE								1
30	2	114351-21600	GEAR, RING								5
31	1	114399-21440	FLYWHEEL, S								6
32	1	114299-21550	WASHER, FLYWHEEL	1	1	1	1	1	1		
33	1	22512-040120	KEY 4X 12	1	1	1	1	1	1		
34	1	714880-22722	PISTON W/RINGS	1	1	1	1	1	1		
35	1	714870-22721	PISTON W/RINGS								1
38	2	714870-22502	RING SET, PISTON	1	1	1	1	1	1		
44	1	114399-22300	PISTON PIN	1	1	1	1	1	1		
45	1	22252-000210	CIRCLIP 21	2	2	2	2	2	2		
46	1	71438G-23700	ROD ASSY, CONNECTING	1	1	1	1	1	1		
48	2	118200-23200	BOLT,ROD	2	2	2	2	2	2		
49	2	714380-23600	BEARING, CRANK PIN	1	1	1	1	1	1		
51	2	114380-23100	BUSH, PISTON PIN	1	1	1	1	1	1		
52	1	714870-28511	SHAFT ASSY,BALANCER	1	1	1	1	1	1		
56	1	714880-22622	PISTON W/RING OS=.25	1	1	1	1	1	1		1
57	1	714870-22621	PISTON W/RING OS=.25								1
60	2	714870-22542	RING SET O.S=.0.25	1	1	1	1	1	1		1
64	1	714880-22582	PISTON W/RING OS=0.5	1	1	1	1	1	1		2
65	1	714870-22581	PISTON W/RING OS=0.5								2
68	2	714870-22552	RING SET O.S=0.50	1	1	1	1	1	1		2
72	1	714380-23610	BEARING,PIN(U.S=.0.25)	1	1	1	1	1	1		3
74	1	714380-23620	BEARING,PIN(U.S=.0.50)	1	1	1	1	1	1		4
76	1	160842-21250	BOLT 7/16-20UNF	1	1						
77	1	26106-080202	BOLT M 8X 20 PLATED							1	1
78	1	160842-21260	WASHER	1	1						
79	1	160310-14550	WASHER							1	1
80	1	160842-21150	KEY 6.3X50	1	1						
81	1	22512-070360	KEY 7X 36							1	1
82	1	24101-062020	BALL BEARING	2	2	2	2	2	2		

Remarks

- (1)OVER SIZED(O.S.=0.25)PART.
- (2)OVER SIZED(O.S.=0.50)PART.
- (3)UNDER SIZED(U.S.=0.25)PART.
- (4)UNDER SIZED(U.S.=0.50)PART.
- (5)FOR L70AE-SEYC.
- (6)FOR L70AE-SYC.

Fig.5. LUB.OIL PUMP & GOVERNOR



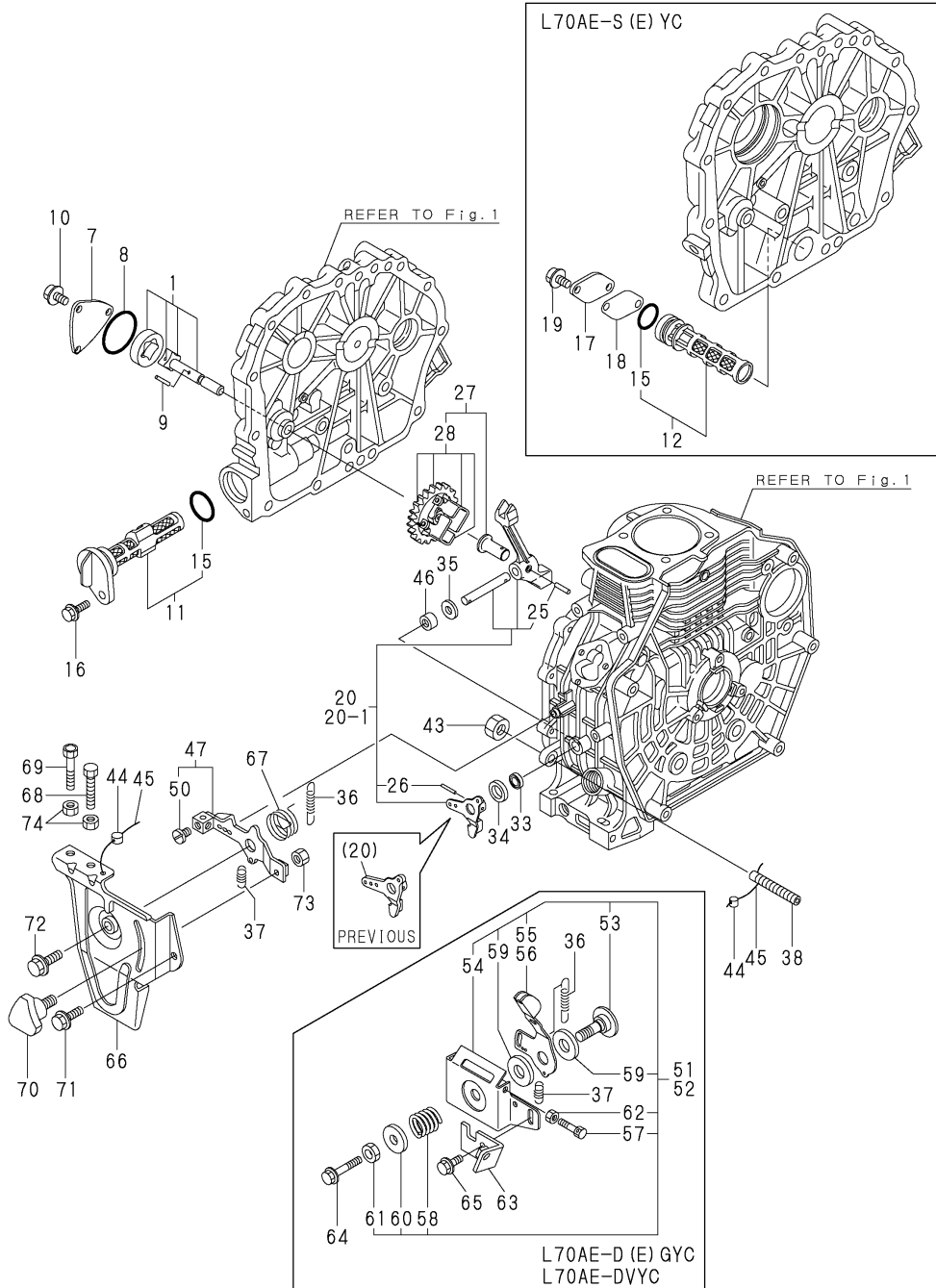
OCR10-G55100 5. LUB.OIL PUMP & GOVERNOR

(A)=L70AE-DYC (D)=L70AE-DGYC
 (B)=L70AE-DEYC (E)=L70AE-DVYC
 (C)=L70AE-DEGYC (F)=L70AE-S(E)YC

REF.	LEV.	PARTS NO.	DESCRIPTION	QTY						I	R
				(A)	(B)	(C)	(D)	(E)	(F)		
1	1	114250-32010	PUMP ASSY, LUB.OIL	1	1	1	1	1	1		
7	1	114299-32070	COVER, LUB. OIL PUMP	1	1	1	1	1	1		
8	1	114299-32570	O-RING, COVER	1	1	1	1	1	1		
9	1	22312-030160	PARALLEL PIN 3X16	1	1	1	1	1	1		
10	1	26476-060142	BOLT M 6X 14,TAPPING	3	3	3	3	3	3		
11	1	114299-35110	FILTER CMP, LUB.OIL	1	1	1	1	1	1		
12	1	114299-35100	FILTER ASSY, LUB.OIL								1
15	2	24341-000224	O-RING 1A S-22.4	1	1	1	1	1	1		
16	1	26106-060162	BOLT M 6X 16 PLATED	1	1	1	1	1	1		
17	1	114250-35250	COVER								1
18	1	114250-35271	GASKET, STRAINER								1
19	1	26106-060122	BOLT M 6X 12 PLATED								2
20	1	714350-61500	LEVER ASSY, GOVERNOR	1	1	1	1	1	1		
20-1	1	714350-61501	LEVER ASSY, GOVERNOR	1	1	1	1	1	1		S
		(A=*2001.08)	(B=*2001.08)	(C=*2001.08)	(D=*2001.08)	(E=*2001.08)	(F=*2001.08)				
25	3	22322-030200	TAPER PIN 3X20	1	1	1	1	1	1		
26	2	22322-030200	TAPER PIN 3X20	1	1	1	1	1	1		
27	1	714299-61700	GOVERNOR ASSY	1	1	1	1	1	1		
28	2	114299-61210	WEIGHT ASSY,GOVERNOR	1	1	1	1	1	1		
33	1	114299-61600	SEAL, OIL	1	1	1	1	1	1		
34	1	114770-61610	WASHER, THRUST	1	1	1	1	1	1		
35	1	114299-61190	WASHER, GOVERNOR	1	1	1	1	1	1		
36	1	114399-66010	SPRING, REGULATOR	1	1	1	1	1	1		
37	1	114299-66200	SPRING, RETURN	1	1	1	1	1	1		
38	1	114250-66550	TORQUE SPRING ASSY	1	1	1	1	1	1		
43	1	26776-100002	LOCK NUT M10 PLATED	1	1	1	1	1	1		
44	1	135210-61090	LEAD	2	2	2	2	2	2		
45	1	22451-060000	WIRE 0.6	2	2	2	2	2	2		
46	1	114770-61520	BEARING,NEEDLE	2	2	2	2	2	2		
47	1	114299-66060	HANDLE CMP(REGULATOR	1	1						1
50	2	26117-050089	BOLT M 5X 8 PLATED	1	1						1
51	1	183250-66500	BRACKET ASSY,REGULAT			1	1				
52	1	114254-66200	BRACKET ASSY,REGULAT								1
53	2	183250-66070	SHAFT, HANDLE			1	1	1			
54	2	183250-66100	BRACKET, REGULATOR			1	1	1			
55	2	183250-66050	HANDLE, REGULATOR			1	1				
56	2	114254-66210	HANDLE, REGULATOR								1
57	2	114250-66440	BOLT, ADJUSTING			1	1	1			
58	2	104200-66820	SPRING			1	1	1			
59	2	104200-66831	PLATE, FRICTION			2	2	2			
60	2	104200-66850	WASHER (B)			1	1	1			
61	2	26696-100002	LOCK NUT M10			1	1	1			
62	2	26757-060002	NUT M 6			1	1	1			
63	1	114254-66220	SUPPORT								1
64	1	26106-060452	BOLT M 6X 45 PLATED			1	1	1			
65	1	26476-060142	BOLT M 6X 14,TAPPING			1	1	1			
66	1	114299-66101	STAY, HANDLE	1	1						1
67	1	114252-66252	SPRING, RETURN	1	1						1
68	1	114299-66440	BOLT, ADJUSTING	1	1						1
69	1	102100-67080	BOLT, ADJUSTING	1	1						1
70	1	160725-78350	KNOB (W/M6X15)	1	1						1

N:Old $\begin{matrix} \leftarrow \text{Yes} \\ \text{No} \end{matrix}$ New, Q:Old $\begin{matrix} \leftarrow \text{No} \\ \text{Yes} \end{matrix}$ New, R:Old $\begin{matrix} \leftarrow \text{Yes} \\ \text{No} \end{matrix}$ New, S:Old $\begin{matrix} \leftarrow \text{No} \\ \text{Yes} \end{matrix}$ New, W:Add, Z:Discontinued, F:Interchangeable by set, K:Q'ty Change
 ++ CONTINUE ++ (C)Copy Rights YANMAR CO.,LTD.

Fig.5. LUB.OIL PUMP & GOVERNOR



OCR10-G55100 5. LUB.OIL PUMP & GOVERNOR

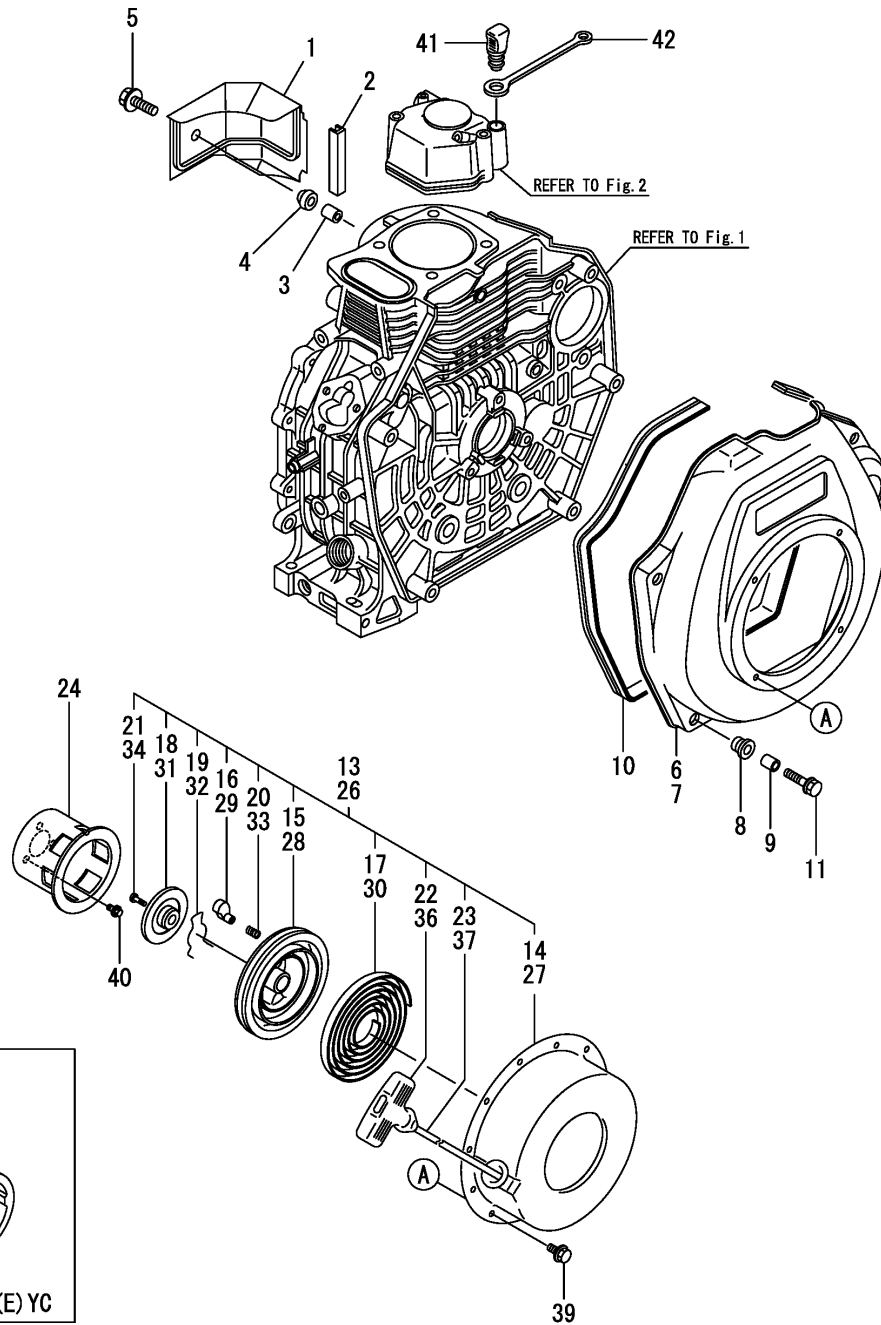
(A)=L70AE-DYC
(B)=L70AE-DEYC
(C)=L70AE-DEGYC

(D)=L70AE-DGYC
(E)=L70AE-DVYC
(F)=L70AE-S(E)YC

REF.	LEV.	PARTS NO.	DESCRIPTION	Q'TY						I	R
				(A)	(B)	(C)	(D)	(E)	(F)		
71	1	26106-060142	BOLT M 6X 14 PLATED	1	1					1	
72	1	26106-060202	BOLT M 6X 20 PLATED	1	1					1	
73	1	26347-060002	U-NUT M 6	1	1					1	
74	1	26757-060002	NUT M 6	2	2					2	

Fig.6. COOLING & STARTING DEVICE

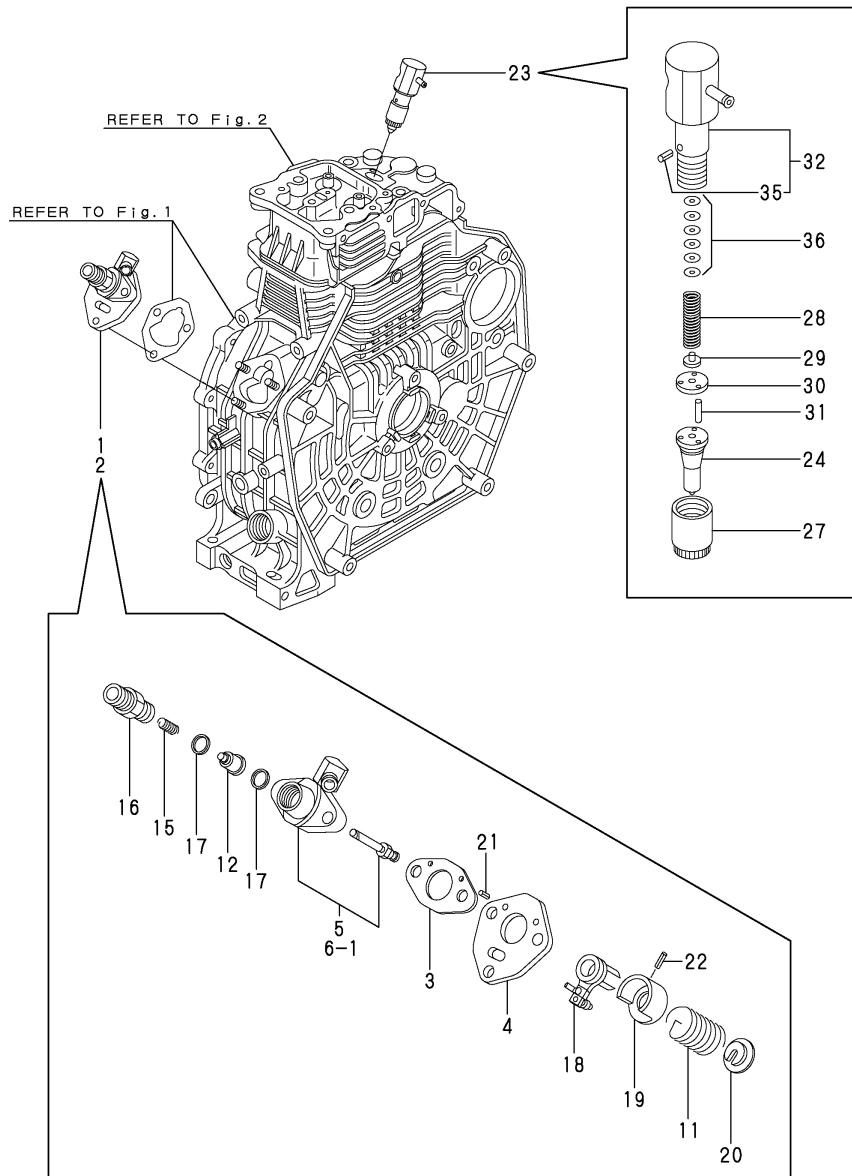
(A)=L70AE-DYC (D)=L70AE-DGYC
 (B)=L70AE-DEYC (E)=L70AE-DVYC
 (C)=L70AE-DEGYC (F)=L70AE-S(E)YC



REF.	LEV.	PARTS NO.	DESCRIPTION	Q'TY						I	R
				(A)	(B)	(C)	(D)	(E)	(F)		
1	1	114399-45210	COVER, SYLINDER	1	1	1	1	1	1		
2	1	114350-45320	RUBBER, SEAL	1	1	1	1	1	1		
3	1	114399-45340	COLLAR, CYL.COVER	1	1	1	1	1	1		
4	1	183720-55210	GROMMET	1	1	1	1	1	1		
5	1	26106-060202	BOLT M 6X 20 PLATED	1	1	1	1	1	1		
6	1	114399-45100	CASE D, COOLING FAN	1	1	1	1	1	1		
7	1	114870-45100	CASE,FAN(SILVER)(17)								1
8	1	114250-45301	RUBBER, CUSHION	4	4	4	4	4	4		4
9	1	114299-45310	COLLAR, FAN CASE	4	4	4	4	4	4		4
10	1	114250-45330	SEAL, FAN CASE	1	1	1	1	1	1		1
11	1	114370-45351	BOLT, FAN CASE	4	4	4	4	4	4		4
13	1	114399-76250	RECOIL STARTER(D)ASY	1	1	1	1	1	1		
14	2	114399-76510	CASE, STARTER	1	1	1	1	1	1		
15	2	114399-76520	REEL, RECOIL	1	1	1	1	1	1		
16	2	114399-76530	RATCHET	1	1	1	1	1	1		
17	2	114399-76540	SPRING, SPIRAL	1	1	1	1	1	1		
18	2	114399-76550	COVER, RATCHET	1	1	1	1	1	1		
19	2	114399-76560	SPRING	1	1	1	1	1	1		
20	2	114399-76570	SPRING, RETURN	1	1	1	1	1	1		
21	2	114399-76580	SCREW	1	1	1	1	1	1		
22	2	114399-76620	KNOB, STARTER	1	1	1	1	1	1		
23	2	114399-76630	ROPE, STARTER	1	1	1	1	1	1		
24	1	114399-76590	PULLEY, STARTER	1	1	1	1	1	1		
26	1	114870-76251	STARTER ASSY, RECOIL								1
27	2	114870-76511	CASE, STARTER								1
28	2	114880-76520	REEL, RECOIL								1
29	2	114870-76530	RATCHET								2
30	2	114870-76540	SPRING, SPIRAL								1
31	2	114870-76550	GUIDE, RATCHET								1
32	2	114870-76560	SPRING, FRICTION								1
33	2	114870-76570	SPRING, RETURN								2
34	2	114870-76580	SET SCREW								1
36	2	114870-76620	KNOB, STARTER								1
37	2	114870-76630	ROPE, STARTER								1
38	1	114350-76591	PULLEY, STARTER								1
39	1	26106-060082	BOLT M 6X 8 PLATED	4	4	4	4	4	4		4
40	1	26106-060122	BOLT M 6X 12 PLATED	3	3	3	3	3	3		3
41	1	114299-76600	PLUNGER	1	1	1	1	1	1		1
42	1	114299-76610	HOLDER, PLUNGER	1	1	1	1	1	1		1

Fig.7. FUEL INJECTION PUMP & FUEL INJECTION VALVE

P/C NEWS No:Y00R5510-1
PUBLISHED:2005/11



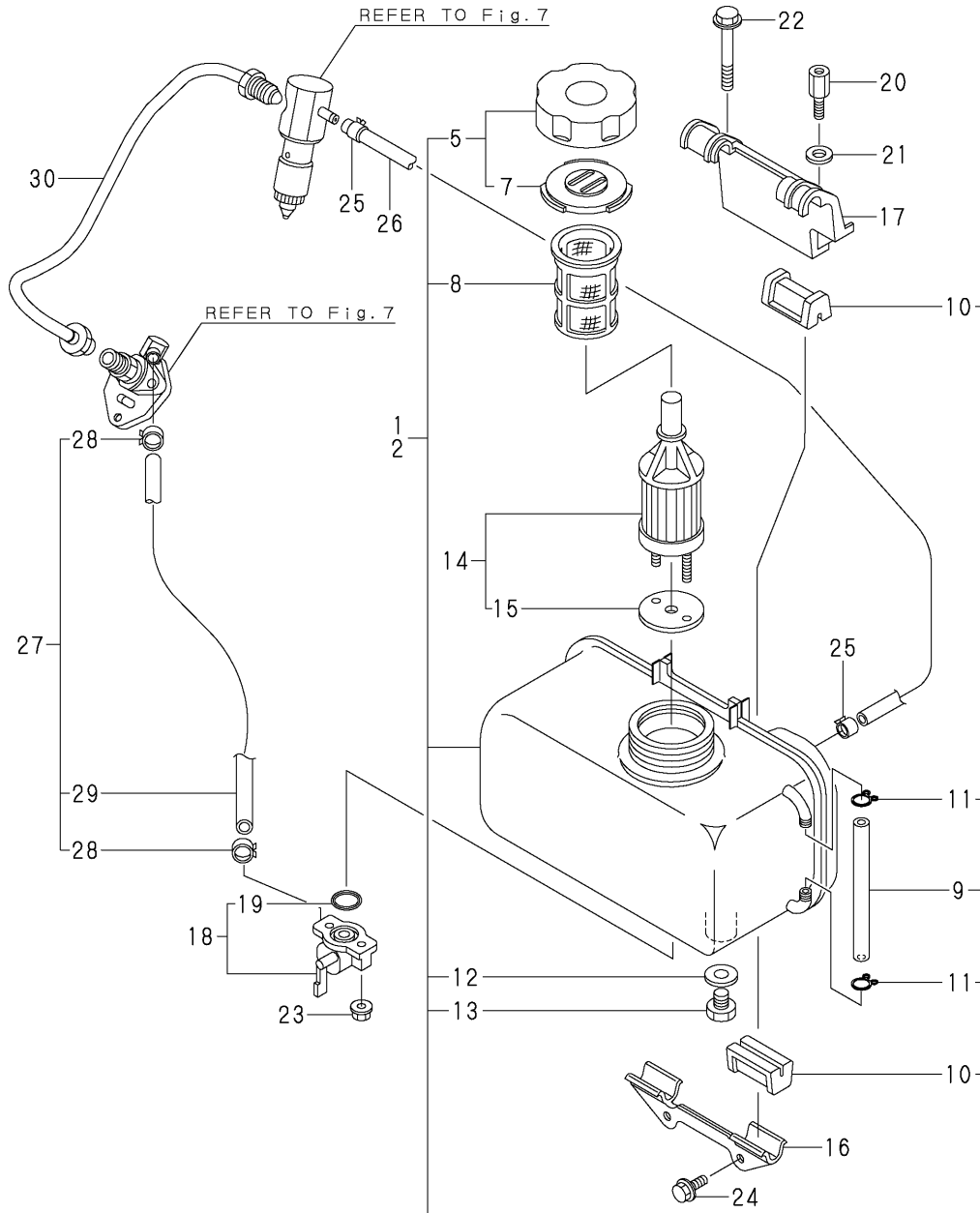
OCR10-G55100 7. FUEL INJECTION PUMP & FUEL INJECTION VALVE

(A)=L70AE-DYC
(B)=L70AE-DEYC
(C)=L70AE-DEGYC

(D)=L70AE-DGYC
(E)=L70AE-DVYC
(F)=L70AE-S(E)YC

REF.	LEV.	PARTS NO.	DESCRIPTION	QTY						I	R
				(A)	(B)	(C)	(D)	(E)	(F)		
1	1	714870-51100	PUMP ASSY, F.INJECT.	1	1			1	1		
2	1	714882-51100	PUMP ASSY, F.INJECT			1	1	1	1		
3	2	105546-51020	GASKET	1	1	1	1	1	1		
4	2	114250-51080	PLATE	1	1	1	1	1	1		
5	2	114350-51200	BODY, F.I. PUMP	1	1			1	1		
I	6-1	2	114350-51200	BODY ASSY, F.I. PUMP			1	1			
11	2	114250-51160	SPRING	1	1	1	1	1	1		
12	2	114250-51300	VALVE ASSY, DELIVERY	1	1	1	1	1	1		
15	2	105546-51330	SPRING, DELIV. VALVE	1	1	1	1	1	1		
16	2	114250-51340	HOLDER, F.I.P.DELIVE	1	1	1	1	1	1		
17	2	124550-51350	GASKET, DELIVERY	2	2	2	2	2	2		
18	2	114250-51600	LEVER ASSY, CONTROL	1	1	1	1	1	1		
19	2	114250-51640	SEAT (A), SPRING	1	1	1	1	1	1		
20	2	114250-51650	SEAT (B), SPRING	1	1	1	1	1	1		
21	2	22351-020006	SPRING PIN 2X 6	2	2	2	2	2	2		
22	2	22351-030008	SPRING PIN 3X 8	1	1	1	1	1	1		
23	1	714870-53200	VALVE ASSY, F.INJECT	1	1	1	1	1	1		
24	2	114870-53100	NOZZLE ASSY,F.INJECT	1	1	1	1	1	1		
27	2	114250-53080	NUT, NOZZLE CASE	1	1	1	1	1	1		
28	2	114250-53120	SPRING, NOZZLE	1	1	1	1	1	1		
29	2	114250-53130	SEAT, NOZZLE SPRING	1	1	1	1	1	1		
30	2	114250-53140	PLATE, STOP	1	1	1	1	1	1		
31	2	114250-53210	PIN	2	2	2	2	2	2		
32	2	114250-53300	HOLDER ASSY, NOZZLE	1	1	1	1	1	1		
35	3	114250-53331	PIN, SPRING	1	1	1	1	1	1		
36	2	114250-53400	SHIM PACK	1	1	1	1	1	1		

Fig.8. FUEL TANK & FUEL PIPE



OCR10-G55100 8. FUEL TANK & FUEL PIPE

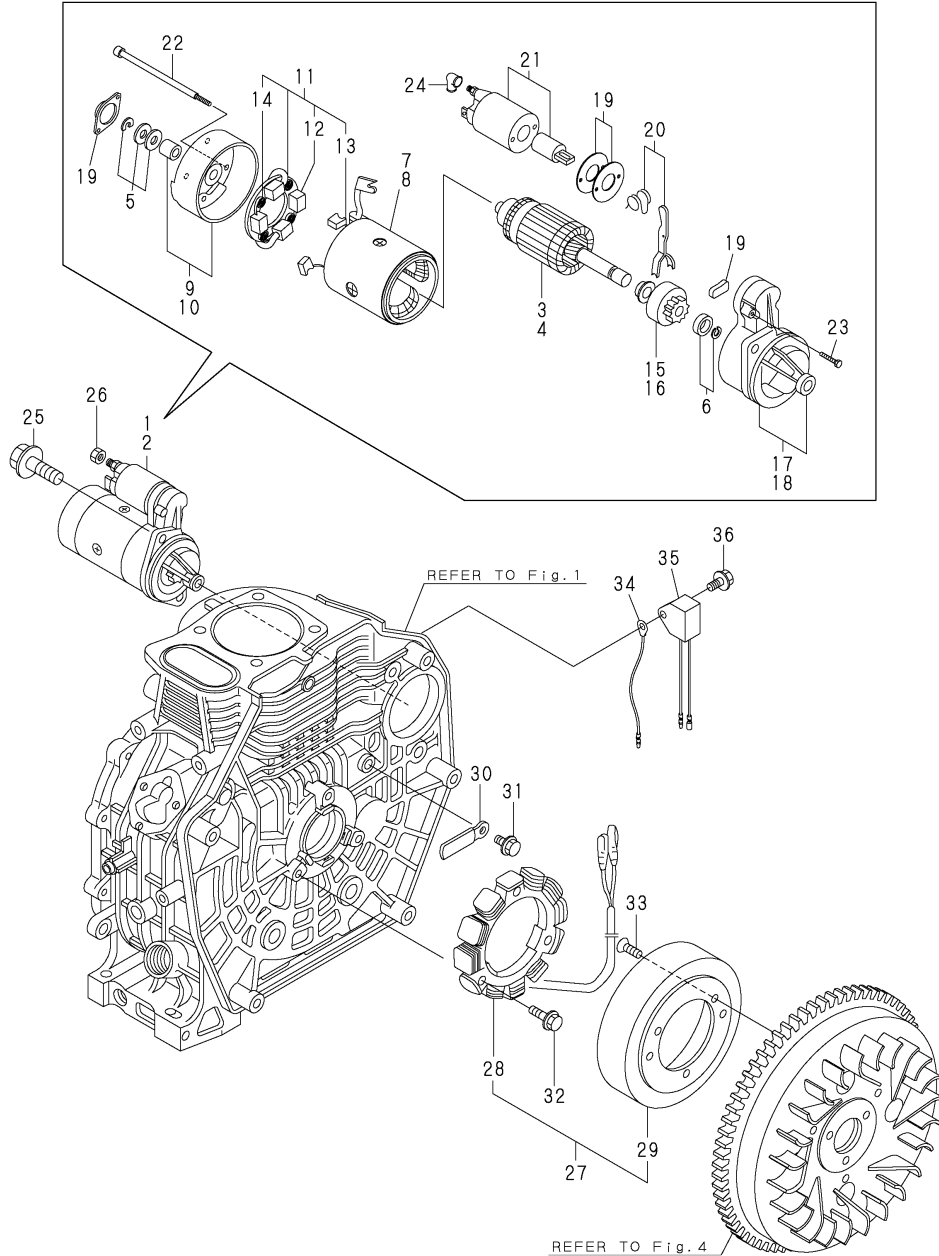
(A)=L70AE-DYC
(B)=L70AE-DEYC
(C)=L70AE-DEGYC

(D)=L70AE-DGYC
(E)=L70AE-DVYC
(F)=L70AE-S(E)YC

REF.	LEV.	PARTS NO.	DESCRIPTION	QTY						I	R
				(A)	(B)	(C)	(D)	(E)	(F)		
1	1	714350-55711	TANK,FUEL (RED)(50)	1	1	1	1			1	
2	1	714354-55710	TANK,FUEL (RED)(50)							1	
5	2	114288-55041	CAP ASSY, FUEL TANK	1	1	1	1	1	1	1	
7	3	114288-55081	VALVE	1	1	1	1	1	1	1	
8	2	114250-55100	FILTER, FUEL	1	1	1	1	1	1	1	
9	2	114350-55150	PIPE, GAUGE	1	1	1	1			1	
10	2	114250-55201	DAMPER, FUEL TANK	4	4	4	4	4	4	4	
11	2	103854-55220	CLAMP	2	2	2	2	2	2	2	
12	2	23414-080000	GASKET 8, ROUND	1	1	1	1	1	1	1	
13	2	105300-55080	PLUG, DRAIN	1	1	1	1	1	1	1	
14	1	114250-55121	FILTER, FUEL OIL	1	1	1	1	1	1	1	
15	2	114250-55130	GASKET	1	1	1	1	1	1	1	
16	1	114299-55210	STAY	1	1	1	1	1	1	1	
17	1	114399-55230	STAY (B)	1	1	1	1	1	1	1	
18	1	114250-55301	COCK	1	1	1	1	1	1	1	
19	2	24341-000150	O-RING 1A S-15.0	1	1	1	1	1	1	1	
20	1	114650-55810	BOLT, LIFTING	1	1	1	1	1	1	1	
21	1	22117-080000	WASHER 8	1	1	1	1	1	1	1	
22	1	26106-080452	BOLT M 8X 45 PLATED	1	1	1	1	1	1	1	
23	1	26366-060002	NUT M 6	2	2	2	2	2	2	2	
24	1	26476-060142	BOLT M 6X 14,TAPPING	2	2	2	2	2	2	2	
25	1	124722-59050	CLAMP 9	2	2	2	2	2	2	2	
26	1	114250-59060	PIPE, FUEL RETURN	1	1	1	1	1	1	1	
27	1	114770-59030	PIPE ASSY, FUEL OIL	1	1	1	1	1	1	1	
28	2	114270-59010	CLIP,HOSE	2	2	2	2	2	2	2	
29	2	114268-59061	PIPE, FUEL OIL	1	1	1	1	1	1	1	
30	1	114350-59800	PIPE, FUEL INJECTION	1	1	1	1	1	1	1	

Fig.9. STARTING MOTOR

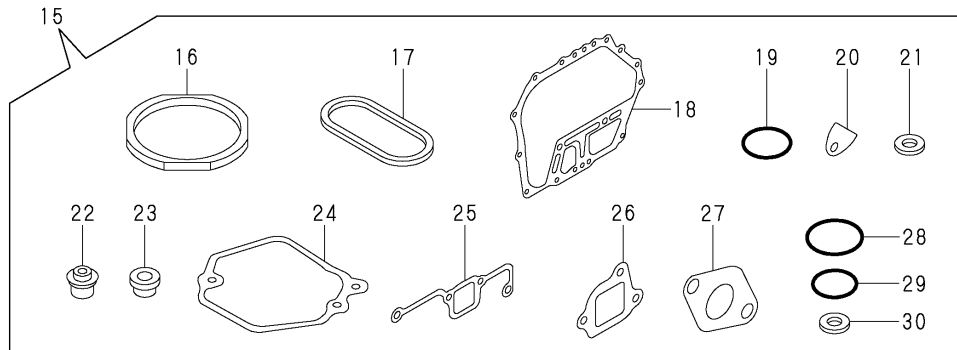
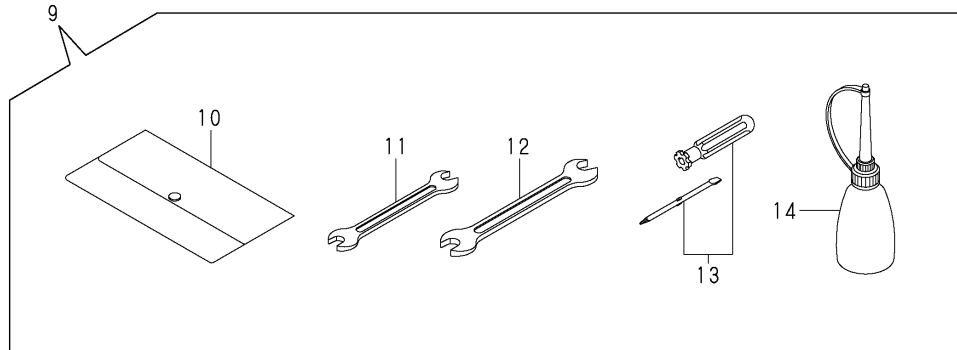
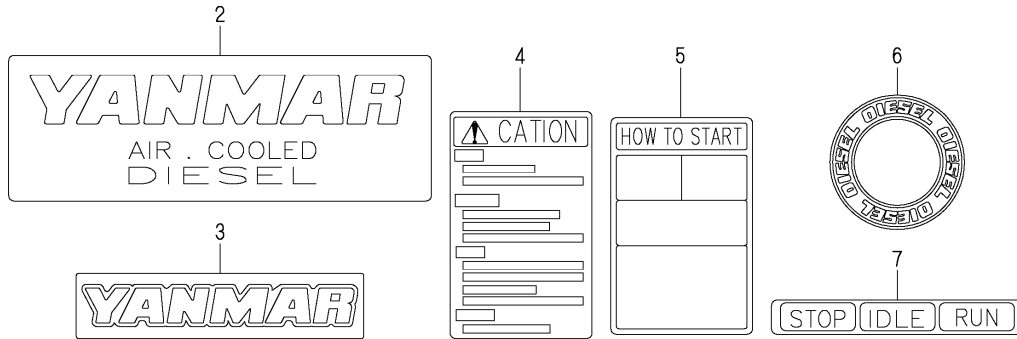
(A)=L70AE-DYC (D)=L70AE-DGYC
 (B)=L70AE-DEYC (E)=L70AE-DVYC
 (C)=L70AE-DEGYC (F)=L70AE-S(E)YC



REF.	LEV.	PARTS NO.	DESCRIPTION	Q'TY						I	R
				(A)	(B)	(C)	(D)	(E)	(F)		
1	1	114362-77011	STARTER(S114-651A)	1	1						
2	1	114351-77011	STARTER (S114-413A)						1		1
3	2	114381-77110	ARMATURE	1	1						
4	2	114371-77110	ARMATURE						1		1
5	2	X2114811000	WASHER KIT, THRUST	1	1				1		1
6	2	X2114715500	STOPPER SET, PINION	1	1				1		1
7	2	114381-77130	COIL ASSY, FIELD	1	1						
8	2	114371-77130	COIL ASSY, FIELD						1		1
9	2	114381-77140	COVER, REAR	1	1						
10	2	114371-77140	COVER ASSY, REAR						1		1
11	2	114371-77160	HOLDER ASSY, BRUSH	1	1				1		1
12	3	114371-79040	BRUSH (-)	2	2				2		1
13	3	114371-79050	BRUSH (+)	1	1				1		1
14	3	114371-79060	SPRING, BRUSH	4	4				4		1
15	2	X211485016	PINION ASSY	1	1						
16	2	119226-77650	PINION ASSY						1		1
17	2	114381-77151	HOUSING ASSY, GEAR	1	1						
18	2	114371-77151	CASE ASSY, GEAR						1		1
19	2	114371-77170	COVER KIT, DUST	1	1				1		1
20	2	114371-77180	SHIFT LEVER KIT	1	1				1		1
21	2	124298-77020	SWITCH, MAGNET	1	1				1		1
22	2	124195-77770	THROUGH BOLT	2	2				2		1
23	2	114371-79070	BOLT M 6X 37	2	2				2		1
24	2	X2114274200	COVER, TERMINAL	1	1				1		1
25	1	26106-100302	BOLT M10X 30 PLATED	2	2				2		1
26	1	26716-080002	NUT M 8	1	1				1		1
27	1	114399-78250	DYNAMO ASSY, 1A	1	1				1		1
28	2	114399-78710	STATOR ASSY	1	1				1		1
29	2	114399-78720	WHEEL, DYNAMO	1	1				1		1
30	1	160710-78710	CLAMP, CORD	1	1				1		1
31	1	26106-060122	BOLT M 6X 12 PLATED	1	1				1		1
32	1	26106-060202	BOLT M 6X 20 PLATED	3	3				3		1
33	1	26577-060142	SCREW M 6X 14	3	3				3		1
34	1	183350-77400	WIRE, LEAD	1	1				1		1
35	1	160970-77350	RECTIFIER	1	1				1		1
36	1	26106-060122	BOLT M 6X 12 PLATED	1	1				1		1

Remarks
 (1)IT IS NOT USED FOR L70AE-SYC.

Fig.10. TOOL,LABEL & GASKET SET



(A)=L70AE-DYC
(B)=L70AE-DEYC
(C)=L70AE-DEGYC

(D)=L70AE-DGYC
(E)=L70AE-DVYC
(F)=L70AE-S(E)YC

REF.	LEV.	PARTS NO.	DESCRIPTION	Q'TY						I	R
				(A)	(B)	(C)	(D)	(E)	(F)		
2	1	114299-07100	LABEL, AIR COOLED	1	1	1	1	1	1		
3	1	114299-07110	LABEL, YANMAR	1	1	1	1	1	1		
4	1	114299-07120	LABEL, CAUTION	1	1	1	1	1	1		
5	1	114299-07140	LABEL, HOW TO START	1	1	1	1	1	1		
6	1	114299-07160	LABEL, DIESEL	1	1	1	1	1	1		
7	1	183250-07230	LABEL, OPERATION			1	1	1			
9	1	114299-92590	TOOL ASSY	1	1	1	1	1	1		
10	2	114299-92600	TOOL BAG	1	1	1	1	1	1		
11	2	114299-92710	SPANNA	1	1	1	1	1	1		
12	2	114299-92720	SPANNA	1	1	1	1	1	1		
13	2	114299-92730	DRIVER	1	1	1	1	1	1		
14	2	114299-92740	FITTING, FUEL	1	1	1	1	1	1		
15	1	714399-92630	GASKET SET	1	1	1	1	1	1		1
16	2	114399-01330	GASKET, CYL. HEAD	1	1	1	1	1	1		
17	2	114399-01380	O-RING	1	1	1	1	1	1		
18	2	114399-01410	GASKET, CRANK CASE	1	1	1	1	1	1		
19	2	114299-01950	O-RING	1	1	1	1	1	1		
20	2	114299-01840	GASKET	1	1	1	1	1	1		
21	2	22190-160002	SEAL WASHER 16S	2	2	2	2	2	2		
22	2	114350-11340	SEAL, VALVE STEM	2	2	2	2	2	2		
23	2	114250-11460	GASKET, NOZZLE	1	1	1	1	1	1		
24	2	114250-11311	GASKET, BONNET	1	1	1	1	1	1		
25	2	114399-12200	GASKET, INTAKE	1	1	1	1	1	1		
26	2	114299-12210	GASKET, AIR CLEANER	1	1	1	1	1	1		
27	2	114299-13200	GASKET, MUFFLER	1	1	1	1	1	1		
28	2	114299-32570	O-RING, COVER	1	1	1	1	1	1		
29	2	24341-000150	O-RING 1A S-15.0	1	1	1	1	1	1		
30	2	23414-080000	GASKET 8, ROUND	1	1	1	1	1	1		

Remarks
(1)OPTIONAL

Part Number Index

All parts are stipulated in the order of part numbers.

(Depending on the area in which the part is used.)

This index will display the location of the part according to each part number.

PARTS No. INDEX

PARTS No.	Fig.	Ref.No.
101158-11180	2	8
102100-67080	5	69
103854-55220	8	11
104200-66820	5	58
104200-66831	5	59
104200-66850	5	60
105010-11490	2	16
		27
105300-55080	8	13
105425-01690	1	34
		47
105546-51020	7	3
105546-51330	7	15
114250-03591	2	37
114250-03640	2	42
114250-11240	2	20
		25
114250-11290	2	10
114250-11311	2	33
	10	24
114250-11460	2	14
	10	23
114250-11600	2	17
114250-11651	2	18
114250-12300	3	17
114250-12520	3	3
114250-12530	3	4
114250-12550	3	7
114250-12560	3	5
114250-12570	3	1
114250-12581	3	6
114250-14200	4	7
114250-32010	5	1
114250-35250	5	17
114250-35271	5	18
114250-45301	6	8
114250-45330	6	10
114250-51080	7	4
114250-51160	7	11
114250-51300	7	12
114250-51340	7	16
114250-51600	7	18
114250-51640	7	19
114250-51650	7	20
114250-53080	7	27
114250-53120	7	28
114250-53130	7	29
114250-53140	7	30
114250-53210	7	31
114250-53300	7	32

PARTS No.	Fig.	Ref.No.
114250-53331	7	35
114250-53400	7	36
114250-55100	8	8
114250-55121	8	14
114250-55130	8	15
114250-55201	8	10
114250-55301	8	18
114250-59060	8	26
114250-66440	5	57
114250-66550	5	38
114252-12550	3	16
114252-12560	3	12
114252-66252	5	67
114254-66200	5	52
114254-66210	5	56
114254-66220	5	63
114268-59061	8	29
114270-01600	1	21
114270-59010	8	28
114288-03590	2	38
114288-11950	2	35
114288-12511	3	8
114288-12520	3	10
114288-12531	3	11
114288-55041	8	5
114288-55081	8	7
114299-01800	1	13
114299-01830	1	19
114299-01840	1	20
	10	20
114299-01950	1	37
	10	19
114299-02030	1	39
114299-02220	1	41
		42
114299-07100	10	2
114299-07110	10	3
114299-07120	10	4
114299-07140	10	5
114299-07160	10	6
114299-11901	2	28
114299-11950	2	34
114299-12210	3	18
	10	26
114299-13200	3	24
	10	27
114299-13800	3	37
114299-21220	4	23
114299-21550	4	32
114299-32070	5	7

PARTS No.	Fig.	Ref.No.
114299-32570	5	8
	10	28
114299-35100	5	12
114299-35110	5	11
114299-35150	1	32
114299-45310	6	9
114299-55210	8	16
114299-61190	5	35
114299-61210	5	28
114299-61600	5	33
114299-66060	5	47
114299-66101	5	66
114299-66200	5	37
114299-66440	5	68
114299-76600	6	41
114299-76610	6	42
114299-92590	10	9
114299-92600	10	10
114299-92710	10	11
114299-92720	10	12
114299-92730	10	13
114299-92740	10	14
114350-01452	1	27
114350-02100	1	29
114350-02113	1	40
114350-02200	1	45
114350-02210	1	46
114350-11101	2	5
114350-11113	2	6
114350-11340	2	13
	10	22
114350-11470	2	15
114350-14451	4	9
114350-45320	6	2
114350-51200	7	5
		6 -1
114350-55150	8	9
114350-59800	8	30
114350-76591	6	38
114351-21600	4	30
114351-77011	9	2
114362-21600	4	27
114362-77011	9	1
114370-45351	6	11
114371-77110	9	4
114371-77130	9	8
114371-77140	9	10
114371-77151	9	18
114371-77160	9	11
114371-77170	9	19

PARTS No.	Fig.	Ref.No.
114371-77180	9	20
114371-79040	9	12
114371-79050	9	13
114371-79060	9	14
114371-79070	9	23
114380-23100	4	51
114381-77110	9	3
114381-77130	9	7
114381-77140	9	9
114381-77151	9	17
114388-13600	3	31
114399-01050	1	1
114399-01200	1	6
114399-01210	1	7
114399-01220	1	8
114399-01230	1	10
114399-01250	1	9
114399-01330	1	11
	10	16
114399-01380	1	12
	10	17
114399-01410	1	25
	10	18
114399-01461	1	26
114399-01700	1	4
114399-11120	2	7
114399-12010	3	19
114399-12200	3	20
	10	25
114399-21400	4	24
114399-21440	4	31
114399-21570	4	28
114399-21590	4	25
114399-22300	4	44
114399-45100	6	6
114399-45210	6	1
114399-45340	6	3
114399-55230	8	17
114399-66010	5	36
114399-76250	6	13
114399-76510	6	14
114399-76520	6	15
114399-76530	6	16
114399-76540	6	17
114399-76550	6	18
114399-76560	6	19
114399-76570	6	20
114399-76580	6	21
114399-76590	6	24
114399-76620	6	22

PARTS No. INDEX

PARTS No.	Fig.	Ref.No.
114399-76630	6	23
114399-78250	9	27
114399-78710	9	28
114399-78720	9	29
114650-07450	3	9
114650-12591	3	13
114650-55810	8	20
114699-01760	1	35
114770-07450	3	2
114770-59030	8	27
114770-61520	5	46
114770-61610	5	34
114771-14260	4	8
114870-11021	2	1
114870-13551	3	25
114870-45100	6	7
114870-53100	7	24
114870-76251	6	26
114870-76511	6	27
114870-76530	6	29
114870-76540	6	30
114870-76550	6	31
114870-76560	6	32
114870-76570	6	33
114870-76580	6	34
114870-76620	6	36
114870-76630	6	37
114880-76520	6	28
118200-23200	4	48
119226-77650	9	16
124195-77770	9	22
124298-77020	9	21
124550-51350	7	17
124722-59050	8	25
135210-61090	5	44
160310-14550	4	79
160710-78710	9	30
160725-78350	5	70
160842-21150	4	80
160842-21250	4	76
160842-21260	4	78
160970-77350	9	35
183250-07230	10	7
183250-66050	5	55
183250-66070	5	53
183250-66100	5	54
183250-66500	5	51
183350-77400	9	34
183720-55210	6	4
714299-61700	5	27

PARTS No.	Fig.	Ref.No.
714350-21730	4	13
714350-55711	8	1
714350-61500	5	20
714350-61501	5	20 -1
714354-55710	8	2
714360-21740	4	12
714368-21701	4	10
714368-21741	4	11
714370-11660	2	22
714380-23600	4	49
714380-23610	4	72
714380-23620	4	74
71438G-23700	4	46
714399-14580	4	1
714399-92630	10	15
714870-14670	4	2
714870-22502	4	38
714870-22542	4	60
714870-22552	4	68
714870-22581	4	65
714870-22621	4	57
714870-22721	4	35
714870-28511	4	52
714870-51100	7	1
714870-53200	7	23
714880-22582	4	64
714880-22622	4	56
714880-22722	4	34
714882-51100	7	2
X2114274200	9	24
X2114715500	9	6
X2114811000	9	5
X211485016	9	15

PARTS No.	Fig.	Ref.No.
-----------	------	---------

PARTS No.	Fig.	Ref.No.
-----------	------	---------



YANMAR CO.,LTD.