

INCH-POUND
 MS35645G
 09 May 2011
 SUPERSEDING
 MS35645F
 20 November 1972

DETAIL SPECIFICATION SHEET
 CAP, FUEL TANK: TACTICAL VEHICLE, FORDING

Inactive for new design after 22 January 1999.

This specification is approved for use by all Departments and Agencies of the Department of Defense.
 The requirements for acquiring the product described herein shall consist of this specification sheet.

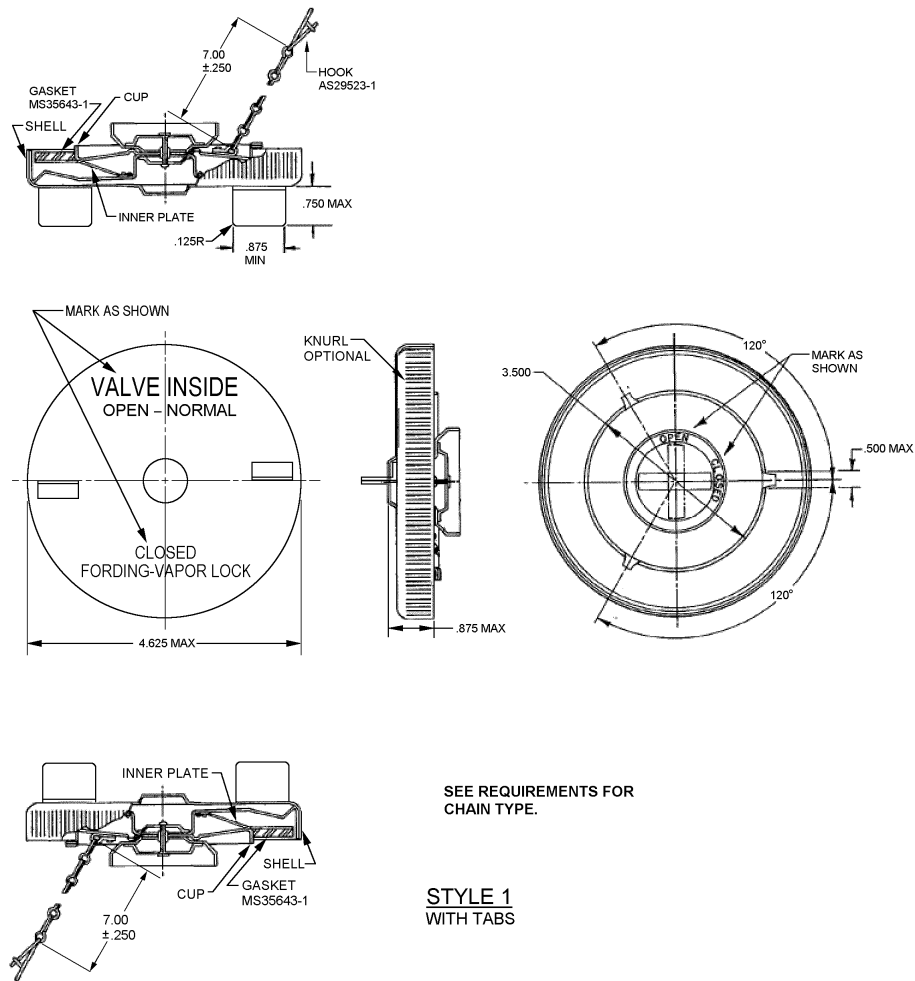
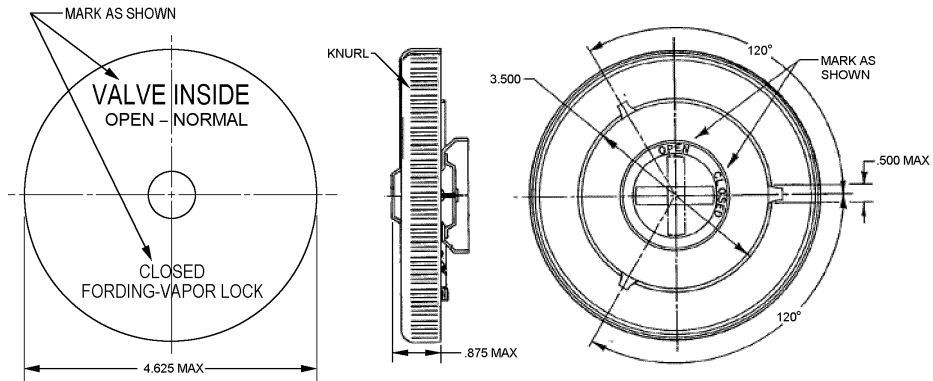
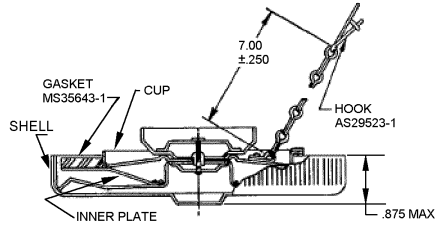
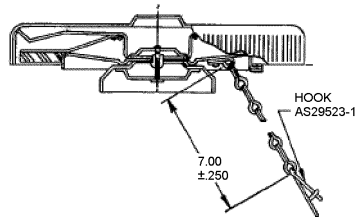


FIGURE 1. Cap, fuel tank: tactical vehicle, fording.

MS35645G



SEE REQUIREMENTS FOR CHAIN TYPE.



STYLE 2
WITH KNURL

Inches	mm	Inches	mm	Inches	mm	Inches	mm
.125	3.18	.500	12.70	.875	22.23	4.625	117.48
.250	6.35	.750	16.05	3.500	88.90	7.000	177.80

NOTES:

1. Dimensions are in inches. Tolerances are $\pm .010$ on decimals, $\pm 3^\circ$ on angles.
2. Metric equivalents are given for information only.
3. For design feature purposes, this standard takes precedence over acquisition documents referenced herein.
4. In the event of a conflict between the text of this specification sheet and the references cited herein, the text of this specification sheet shall take precedence.

FIGURE 1. Cap, fuel tank: tactical vehicle, fording – Continued.

MS35645G

REQUIREMENTS:

This cap is of procurement specification MIL-C-45300, Type II.

The cap is to be used with necks shown on MS35644.

The chain shall be in accordance with RR-C-271, Type II, class 6.

Protective coating: interior parts shall be cadmium plated in accordance with SAE-AMS-QQ-P-416, Type II, Class 2, or zinc plated in accordance with ASTM-B633, Type II, Fe/Zn 13 (sc 3) 12µm minimum, as applicable. Cover surface shall be cleaned in accordance with the applicable method of TT-C-490, then treated with Type I or III. The surface shall then be primed in accordance with MIL-DTL-53030 and painted in accordance with MIL-E-52891.

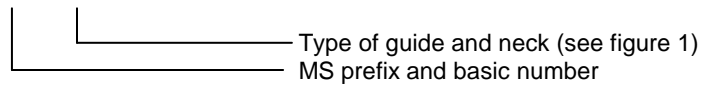
To move the valve out of closed or open position, the torque shall not be less than 10 inch/ounces.

The cap shall withstand a minimum of 25 foot/pounds torque without rotation of cup on inner plate or inner plate on shell.

This standard is not intended to limit construction to features other than as shown hereon by dimensions, notations or referenced documents.

Part or Identifying Number (PIN).

Example of a PIN: MS35645-1



Example of a PIN:	Style	Former PIN
MS35645-1	Tabs	8333722
MS35645- 2	Knurled	None

Marking shall consist of the PIN and the manufacturer's identification in accordance with MIL-STD-130.

Changes from previous issue. Marginal notations are not used in this revision to identify changes with respect to the previous issue due to the extent of the changes.

Referenced documents. This document references the following:

- MIL-C-45300
- MIL-E-52891
- MIL-DTL-53030
- MIL-STD-130
- MS35644
- RR-C-271
- TT-C-490
- ASTM-B633
- SAE-AMS-QQ-P-416

MS35645G

CONCLUDING MATERIAL

Custodians:
Army – AT
Navy – SH
Air Force – 99
DLA – CC

Preparing activity:
DLA – CC
(Project 2910-2010-005)

Review activities:
Army – AR, CR4
Navy – MC, SA, YD
Air Force – 71

NOTE: The activities listed above were interested in this document as of the date of this document. Since organizations and responsibilities can change, you should verify the currency of the information above using the ASSIST Online database at <https://assist.daps.dla.mil>.